

VCN Series

An externally mounted centrifugal fan offering a high extraction rate as well as excellent performance when ducted.

IPX4 Rated

Blaubeerg Motoren Motor

European Made

2 Year

2 year replacement warranty

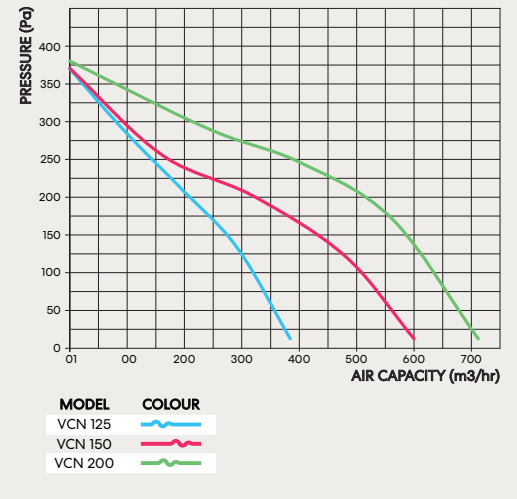
- 125: EWWUVCN2
- 150: EWWUVCN3
- 200: EWWUVCN4

All models can be used with the ESEEAS speed controller. This is a dimmer style speed switch.



Air is expelled via the grate at the bottom of the unit.

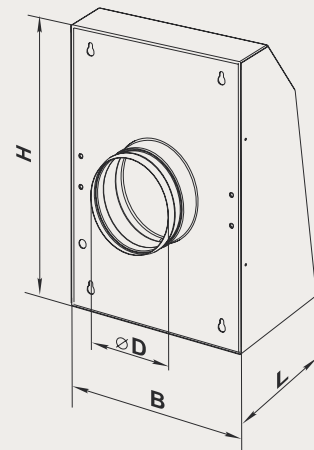
The unit is designed for mounting on an external wall. The bottom of the fan has a rodent proof guard. All motors also include thermal overheating protection.



	125 High	150 High	200 High
Voltage	230	230	230
Current (A)	0.27	0.43	0.45
Power (w)	60	100	104
Noise Level dB(A)	54	58	62
Capacity (m ³ /hr)	390	600	710
Capacity (l/s)	108.42	166.8	197.38
Capacity (CFM)	229.71	353.4	418.19
Duct Size (mm)	125	150	200

Maximum temperature of transferred air 55°. The fan is designed for indoor application with the ambient temperature ranging from +1 °C up to +40 °C and relative humidity up to 80 %.

Dimensions (mm)



Model	125	150	200
D	124	149	199
H	355	400	400
B	260	300	300
L	138	138	138